

Horizon

TRIMMING

ICE TRIMMER HT-300

**NEXT GENERATION BOOK TRIMMER
WITH HIGH PRODUCTIVITY AND
MORE AUTOMATION.**



BENEFIT

HIGH SPEED

New functions such as auto book thickness measurement increase the maximum production speed to 300 books/stacks per hour.

LABOR SAVING

The HT-300 can be connected with Horizon perfect binder and output conveying for in-line book production efficiency.

UNIQUE TRIMMING FEATURE

Fore-edge of book can be trimmed at any angle. The rotary table on the trim section enables not only three-side trimming but also finishing in a variety of shapes.

CONFIGURATION FLEXIBILITY

Multiple selections* for the feeder and delivery unit allow for a flexible machine configuration depending on your needs.

*For the feeder: stack or pusher in feed

For the delivery unit: delivery stacker or conveyor (front/side)

SPECIFICATIONS.

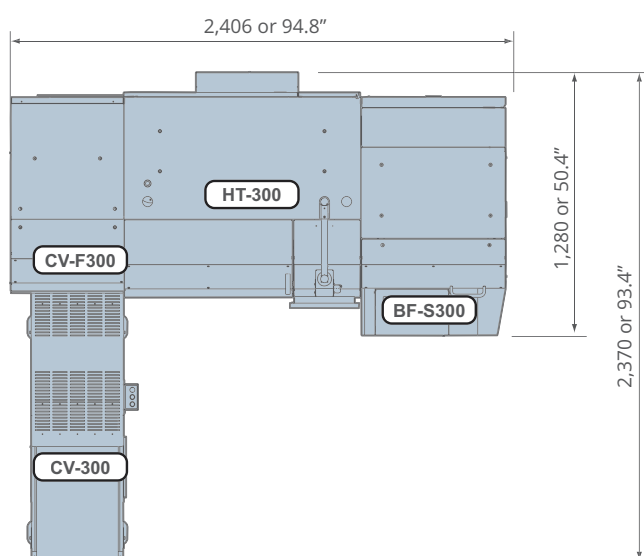


MANAGE YOUR BINDERY WITH HORIZON BINDERY CONTROL SYSTEM

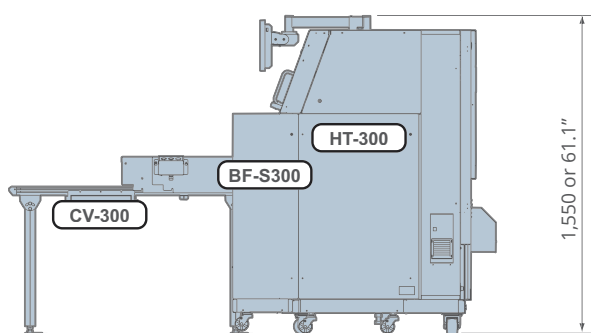
The iCE Series can be enhanced with JDF workflow from upstream to postpress using the Horizon pXnet Bindery Control System / iCE LINK. iCE LINK is the next generation of pXnet.



(Top View)



(Side View)



HT-300		
Untrimmed Book Size Spine	<p>Length x Fore-edge Length</p>	<p>Standard Tables</p> <p>Table A for portrait: Max. 350 × 235 mm or 13.775" × 9.250" Min. 277 × 206 mm or 10.910" × 8.115"</p> <p>Table B for portrait: Max. 350 × 235 mm or 13.775" × 9.250" Min. 204 × 136 mm or 8.035" × 5.355"</p> <p>Table C for landscape: Max. 320 × 350 mm or 12.595" × 13.775" Min. 211 × 275 mm or 8.310" × 10.830"</p> <p>Table K for A6: Max. 320 × 219 mm or 12.595" × 8.620" Min. 152 × 107 mm or 5.985" × 4.215"</p>
	<p>Length x Fore-edge Length</p>	<p>Standard Tables</p> <p>Table A for portrait: Max. 340 × 230 mm or 13.385" × 9.055" Min. 273 × 204 mm or 10.750" × 8.035"</p> <p>Table B for portrait: Max. 340 × 230 mm or 13.385" × 9.055" Min. 200 × 134 mm or 7.875" × 5.280"</p> <p>Table C for landscape: Max. 340 × 305 mm or 13.385" × 12.005" Min. 207 × 273 mm or 8.150" × 10.750"</p> <p>Table K for A6: Max. 305 × 217 mm or 12.005" × 8.540" Min. 148 × 105 mm or 5.830" × 4.135"</p>
Trim Width	<p>Max. 99.9 mm or 3.930" Min. 2 mm or 0.080" "0" can be entered (no trimming).</p>	
Trim Height	<p>Max. 51 mm or 2.005" Min. 1 mm or 0.040"</p>	
Clamp System and Pressure	Servo motor 1 through 7 kN (100 through 700 kgf)	
Book Stack Height	BF-S300 Suction Feeder 300 mm or 11.81"	
Production Speed	BF-S300 Sucker Feeder When trimming one book: Max. 160 through 300 books per hour When trimming multiple books: 280 through 590 books per hour	
	BF-P300 Pusher Feeder When trimming one book: Max. 160 through 300 books per hour When trimming multiple books: (160 through 300 × number of stacked books) per hour	
Voltage/Frequency	200-240 V, 50 or 60 Hz (400 V, step down to 200 V by transformer)	
Machine Dimensions	When the BF-S300 sucker feeder is connected: 2,406 (W) × 1,280 (D) × 1,550 (H) mm or 94.7" (W) × 50.4" (D) × 61.0" (H)	
	When the BF-P300 pusher feeder is connected: 2,406 (W) × 3,187 (D) × 1,550 (H) mm or 94.7" (W) × 125.5" (D) × 61.0" (H) Note that the dimensions of the CV-300 + CV-S300 side conveyor, CV-300 + CV-F300 front conveyor are not included	

Horizon

Horizon International, Inc.

510 Kuze Ooyabu-cho, Minami-ku,
Kyoto, 601-8206, Japan
Phone : +81-75-934-6700
Fax : +81-75-934-6708
www.horizon.co.jp

Horizon GmbH

Pascalstrasse 20
25451 Quickborn / Germany
Phone : +49 4106 8042-0
Fax : +49 4106 8042-199
www.horizon.de

MORE AT HORIZON.CO.JP

